

# XP/XT EC Utility Unit

Fitment guide for 50% & 100% utility units into Rhinoman XP/XT canopies.



## CONTENTS

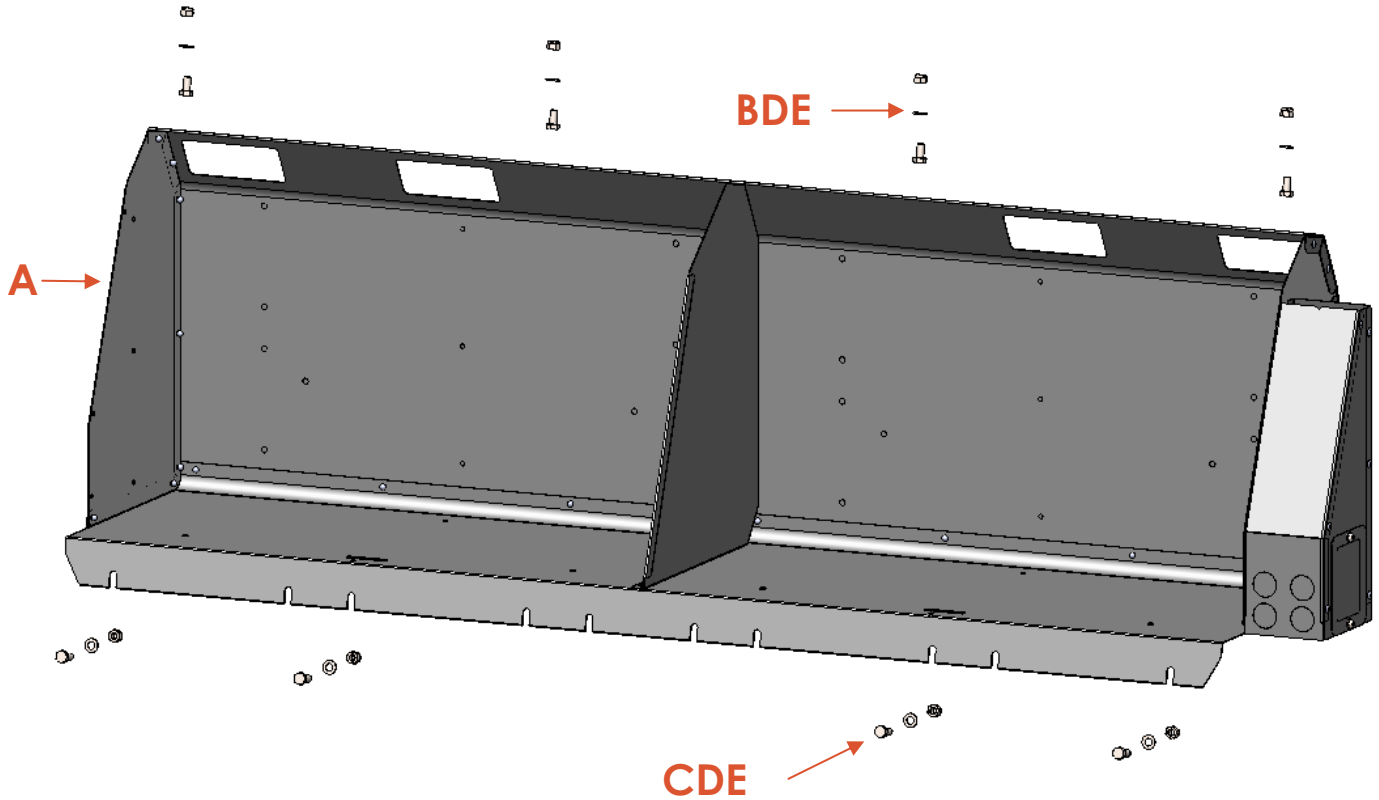
<b>1. Getting Started:</b>	2
<b>1.1. Product contents:</b>	2
<b>2. Utility fitment guide:</b>	3
<b>2.1. Tools required for fitment:</b>	3
<b>2.2. Fitment instructions:</b>	4
<b>3. Notes:</b>	6
<b>4. Reminder: Utility unit accessories:</b>	7

SHOULD YOU HAVE ANY ENQUIRIES ABOUT THE FITMENT, FEEL FREE TO CONTACT US



## 1. Getting Started:

### 1.1. Product contents:



	<u>50% Units</u>	<u>100% Units</u>
A. Utility unit	x 1	x 1
B. M8 x 16 Hexagonal screw	x 2	x 4
C. M8 x 20 Hexagonal screw	x 2	x 4
D. M8 Ø16 x 1.5 Flat washer	x 4	x 8
E. M8 Nyloc nut	x 4	x 8

SHOULD YOU HAVE ANY ENQUIRIES ABOUT THE FITMENT, FEEL FREE TO CONTACT US

## 2. Utility fitment guide:

Fitment duration approximately 25 minutes.



Be aware of the edges on all sheet metal components and take extra care during handling.

Before installation, ensure that the work area inside and around the canopy fitment area is free from any obstructions.

Torque all M8 fasteners to 28.4Nm

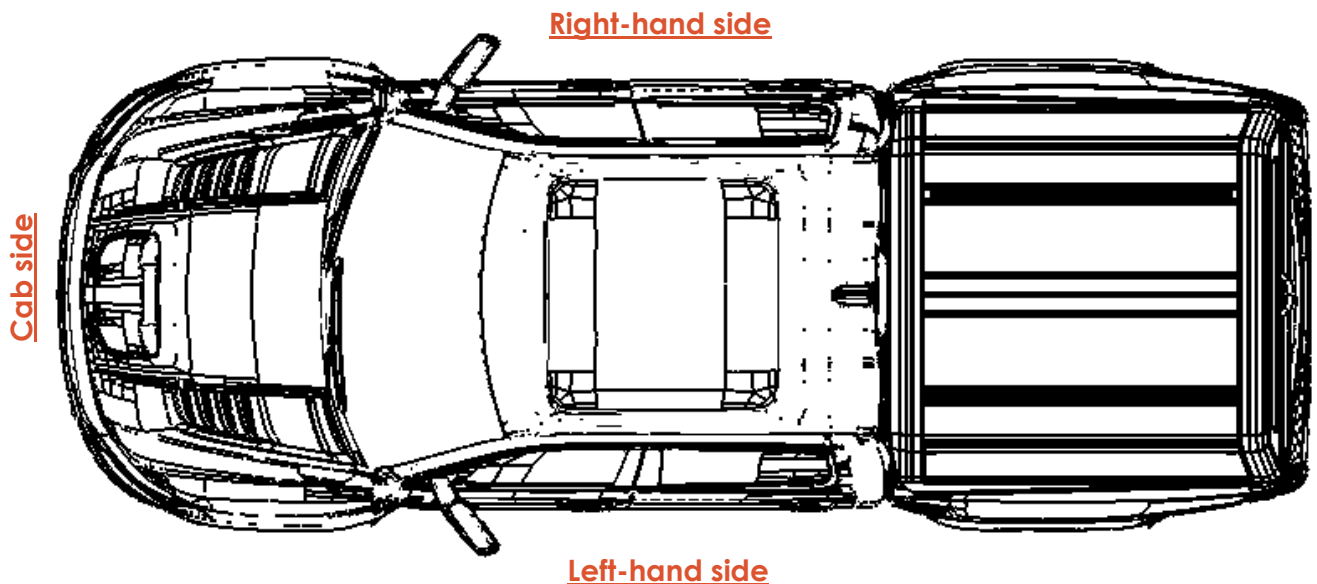
PLEASE  
NOTE...

The fitment of the utility unit will require 2 people for the ease of aligning all fasteners.

The following instructions in this document is based on fitting the utility unit to the left hand side of the canopy. Right hand side fitment to apply the instructions to the right hand side of the canopy.



The following vehicle illustration is used to define the "left-hand, right-hand and cab" side terminology used throughout the document.



### 2.1. Tools required for fitment:

#### COMBINATION WRENCH



- 1 x 10mm Spanner
- 1 x 13mm Spanner

#### SOCKET WRENCH



- 1 x 10mm Socket
- 1 x 13mm Socket

#### MEASURING TAPE



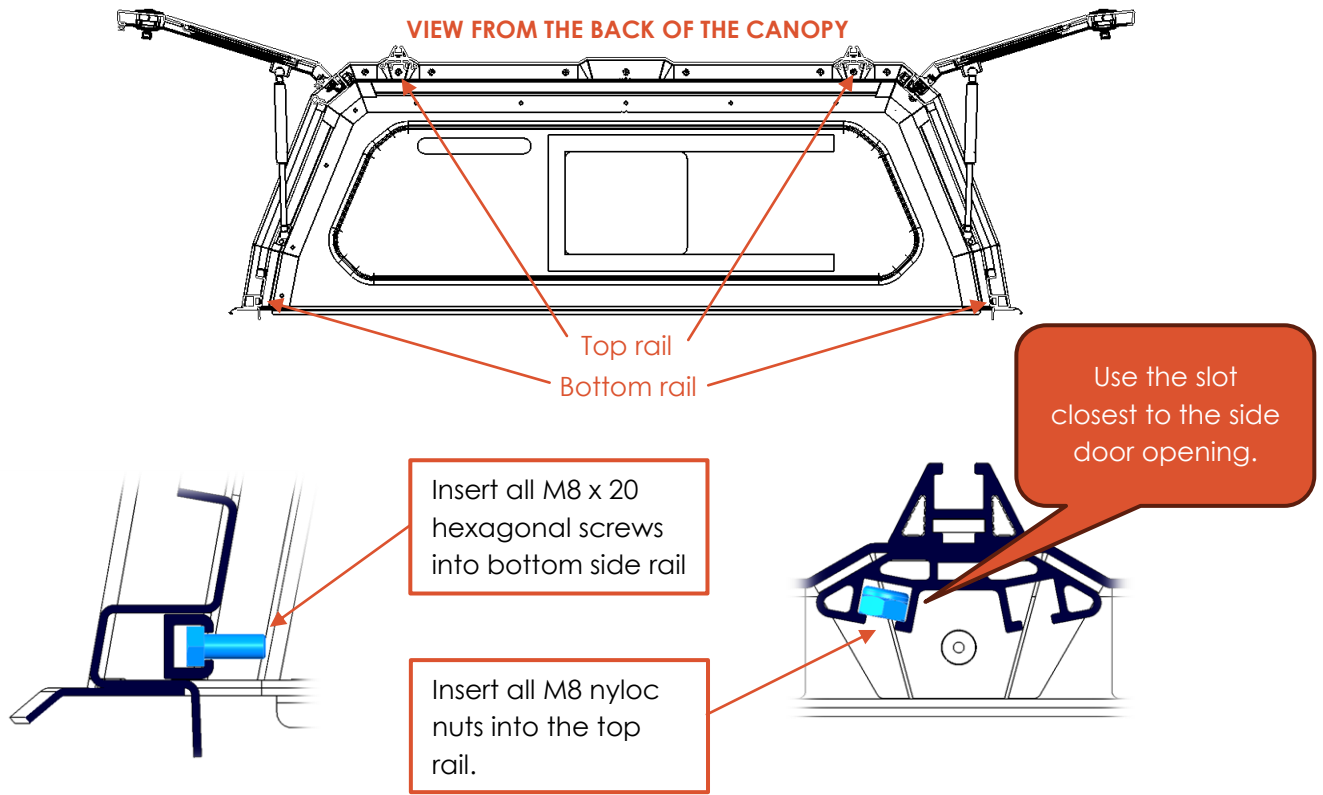
- 1 x Measuring tape

SHOULD YOU HAVE ANY ENQUIRIES ABOUT THE FITMENT, FEEL FREE TO CONTACT US

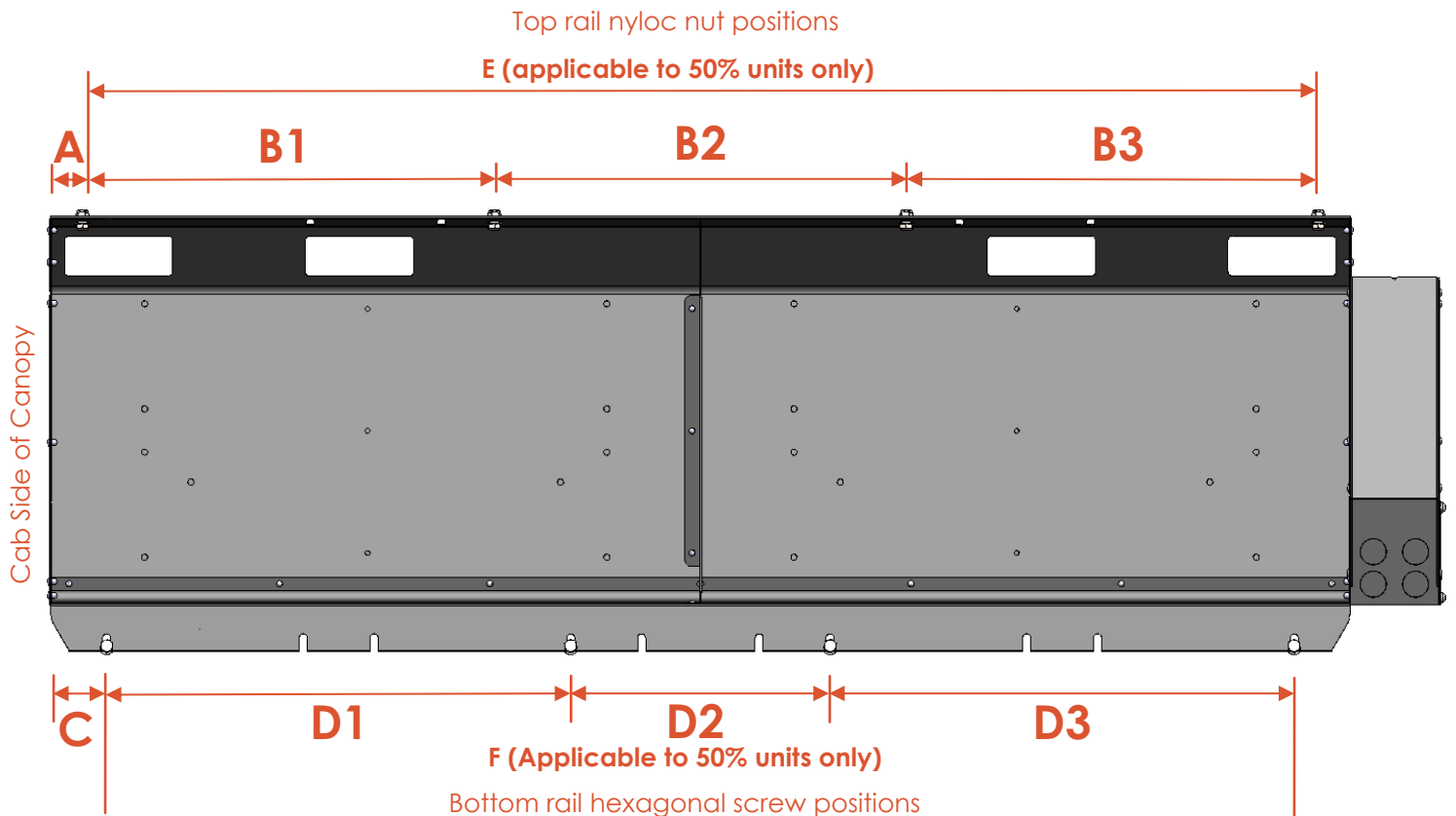


**2.2. Fitment instructions:**

**2.2.1. Step 1 - Prepare the canopy for fitment:**

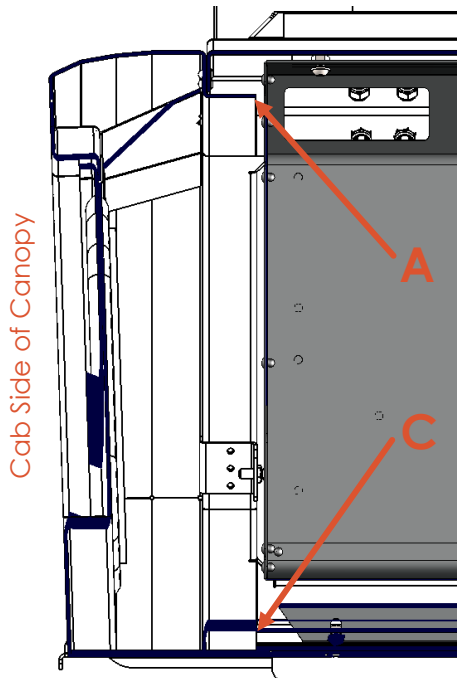


**2.2.2. Step 2 - Align the fasteners accordingly:**



SHOULD YOU HAVE ANY ENQUIRIES ABOUT THE FITMENT, FEEL FREE TO CONTACT US

- Use the 2 most outer available slots on the 50% & 100% utilities as well as 2 central slots on the 100% utilities only for fitment.
- Once you have identified the mounting slot positions, measure the center-to-center distance between each slot and position the screws & nuts in both rails accordingly.



- "A" – **ADD 7mm** to measurement "A" to ensure a minimum clearance from the internal edge indicated.
- "B1-B3" – Position the top rail nyloc nuts accordingly.
- "C" – **ADD 7mm** to measurement "C" to ensure a minimum clearance and measure from the start of the bottom rail.
- "D1-D3" – Position the bottom rail screws accordingly.
- "E" – Position the top rail nylock nuts on the 50% unit accordingly.
- "F" – Position the bottom rail screws on the 50% unit accordingly.

### 2.2.3. Step 3 – Place the utility unit into position:

PLEASE  
NOTE...

**THIS STEP WILL REQUIRE TWO PEOPLE.**

- Have one person inside the canopy load and hold the utility unit, while another person stands outside the canopy ready to guide. Align and place the bottom slots of the utility unit over the screws in the bottom rail (see Fig. 3.3.3.1)
- Place a M8 washer and M8 nyloc nut over each screw, then hand-tighten. (see Fig. 3.3.3.2)
- With the utility unit resting on the bottom rail screws, lift the top of the utility unit for the slots to align with the nylock nuts in the top rail. (see Fig. 3.3.3.3)
- While the person inside the canopy holds the utility in place, the person outside the canopy should install and fasten a M8 flat washer and M8 x 16 socket button head screw into each nylock nut. (see Fig. 3.3.3.4)
- Torque each M8 socket button head screw in the top rail to 25Nm.
- Once all top rail screws are secured, ensure that the base platform of the utility is parallel with the ground, torque each screw to 25Nm.

SHOULD YOU HAVE ANY ENQUIRIES ABOUT THE FITMENT, FEEL FREE TO CONTACT US

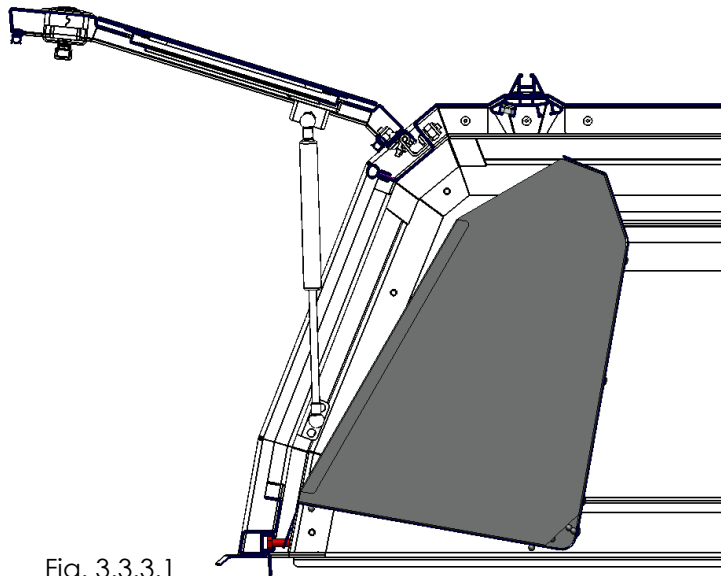


Fig. 3.3.3.1

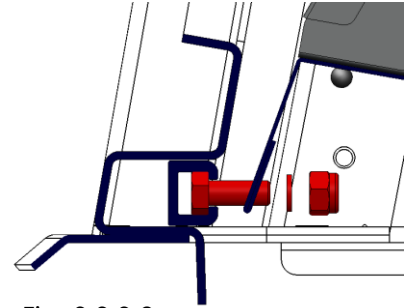


Fig. 3.3.3.2

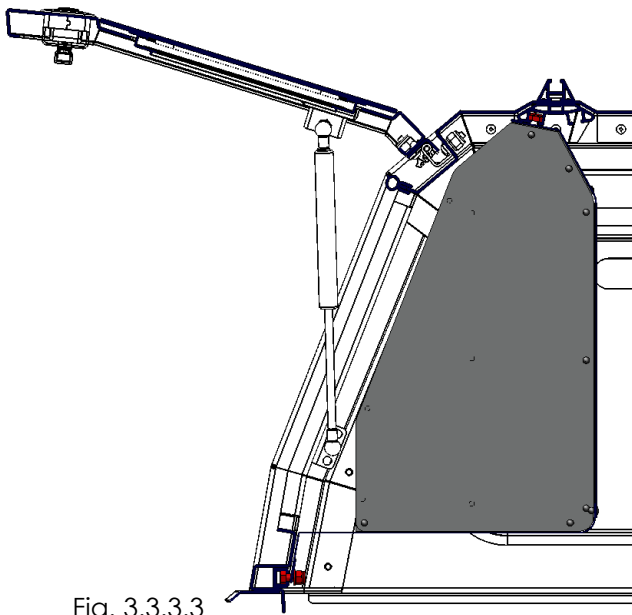


Fig. 3.3.3.3

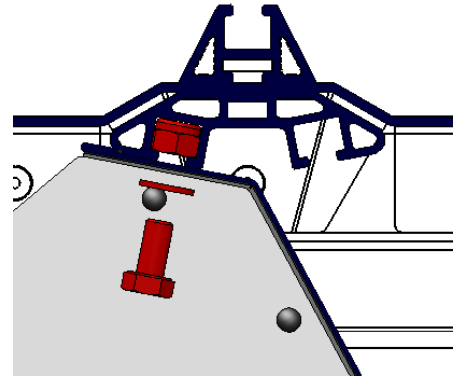


Fig. 3.3.3.4

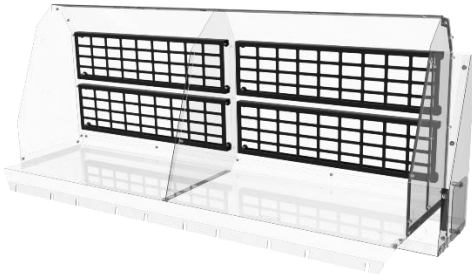
### 3. Notes:

- You have now successfully completed the fitment of your Rhinoman utility unit.
- Confirm that all the fitment screws have been properly tightened one last time.
- Be sure to check at least bi-monthly that all the screws are still properly tightened.

SHOULD YOU HAVE ANY ENQUIRIES ABOUT THE FITMENT, FEEL FREE TO CONTACT US

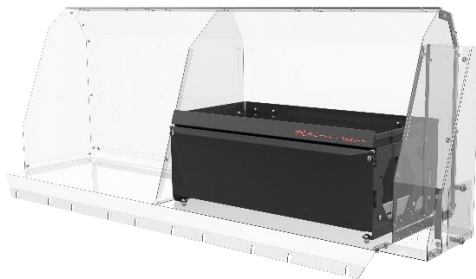
#### 4. Reminder: Utility unit accessories:

- **ALL** Utilities are equipped with pre-cut holes to fit the accessories below.
- Contact the Rhinoman sales team for any additional information.



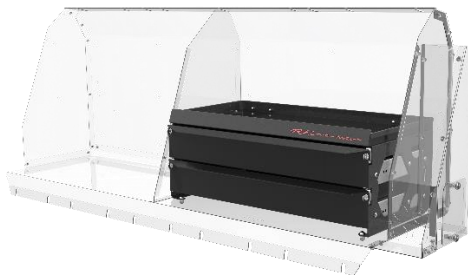
##### Perforated hanger

- Each 100% utility unit can fit up to 4 x perforated hangers.
- Each 50% utility unit can fit up to 2 x perforated hangers.



##### Utility full drawer

- Each 100% utility unit can fit up to 2 x utility full drawers alongside another.
- Each 50% utility unit can fit 1 x utility full drawer.



##### Utility half drawer

- Each 100% utility unit can fit up to 2 x utility half drawers alongside another.
- Each 50% utility unit can fit 1 x utility half drawer.



##### Utility fold down drawer

- Each 100% utility unit can fit up to 2 x utility fold down drawers alongside another.
- Each 50% utility unit can fit 1 x utility fold down drawer.

SHOULD YOU HAVE ANY ENQUIRIES ABOUT THE FITMENT, FEEL FREE TO CONTACT US